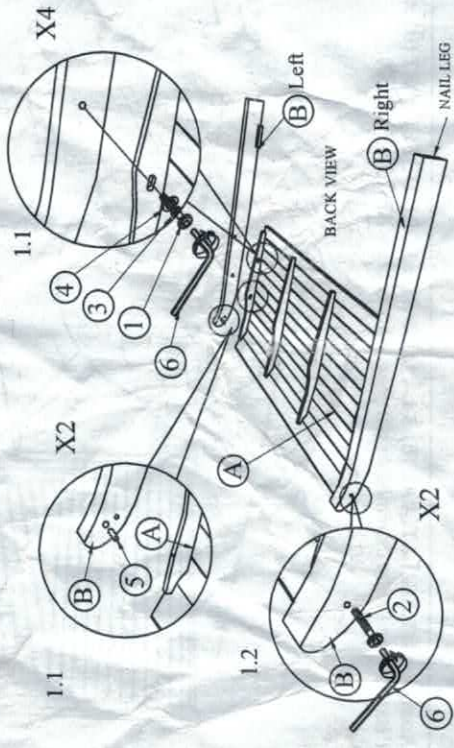


ASSEMBLY INSTRUCTIONS

STEP 1-1: Insert DOWELS (5) into HEADBOARD (A), as shown, and slide HB PANEL (A) to HB LEG (B). Tighten with JCBC BOLT (1), SPRING WASHER (3) & FLAT WASHER (4), using ALLEN KEY (6), as shown.

STEP 1-2: Screw JCBC BOLT (2) into pre-drilled hole on headboard leg (B) and tighten, using ALLEN KEY (6) as shown.



(BOX 1)
HARDWARE LIST

NO	ITEM	QTY
1	JCBC BOLT M6 x 40MM	4 PCS
2	JCBC BOLT M6 x 80MM	2 PCS
3	SPRING WASHER 1/4" RBW	4 PCS
4	FLAT WASHER 1/4" ID x 19mm O.D. BLK	4 PCS
5	WOOD DOWEL 10mm x 30mm	2 PCS
6	ALLEN KEY M4 x 110MM	1 PCS
7	PAN HEAD CHIPBOARD SCREW M4 x 20mm Blk	7 PCS

MODEL : C8108A
QUEEN BED

(BOX 1)
BOX OF HEADBOARD

NO	ITEM	QTY
A	Headboard	1 PC
B	Headboard Leg (L&R)	2 PCS
C	Headboard Center Detached Panel	1 PC

(BOX 2)
BOX OF FOOTBOARD

NO	ITEM	QTY
D	Footboard	1 PC

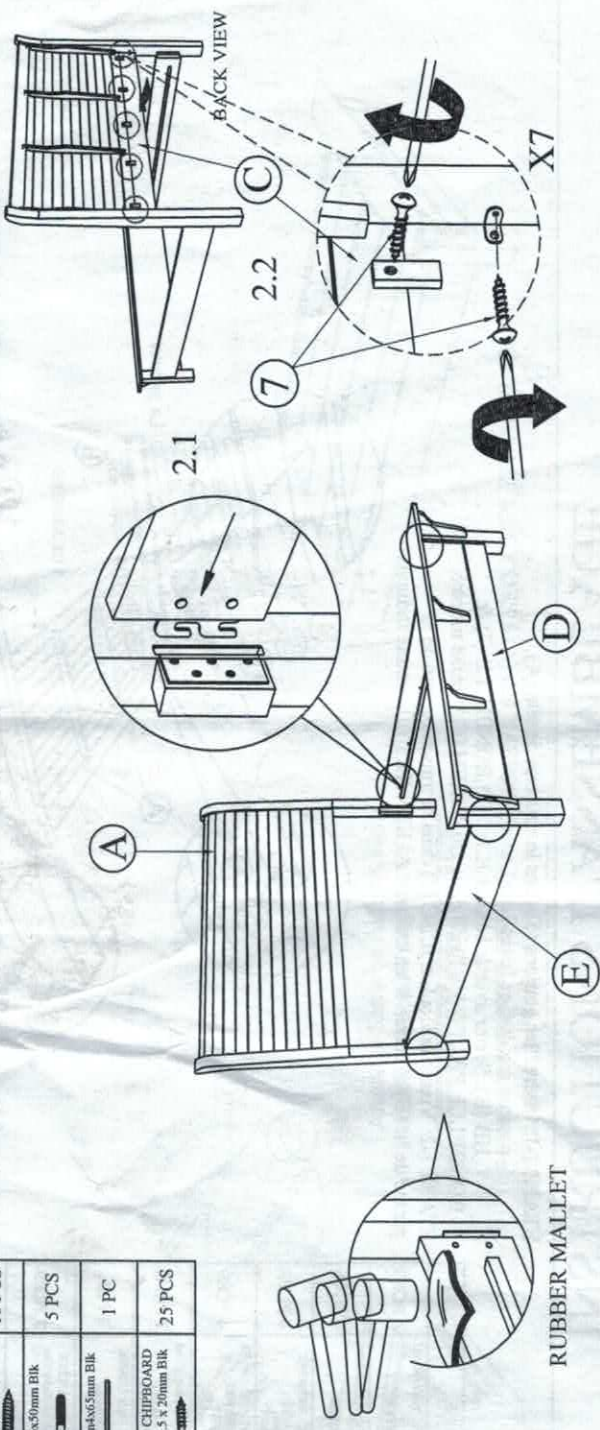
(BOX 3)
BOX OF SIDE RAIL

NO	ITEM	QTY
E	Side Rail	2 PCS
F	Slat with marking	2 PCS
G	Slat without marking	3 PCS
H	Slat Support	5 PCS
I	Concealed panel	5 PCS

(BOX 3)
HARDWARE LIST

NO	ITEM	QTY
8	Flat Head Chipboard Screw m4x32mm RbW	10 PCS
9	JCBC m6x50mm Blk	5 PCS
10	Allen Key m4x65mm Blk	1 PC
11	PAN HEAD CHIPBOARD SCREW M3.5 x 20mm Blk	25 PCS

STEP 2 : Hook SIDE RAIL (E) TO HEAD BOARD LEG (B) closely and push down to fit. repeat step 2 with other end of rail to hook onto FOOTBOARD (D).



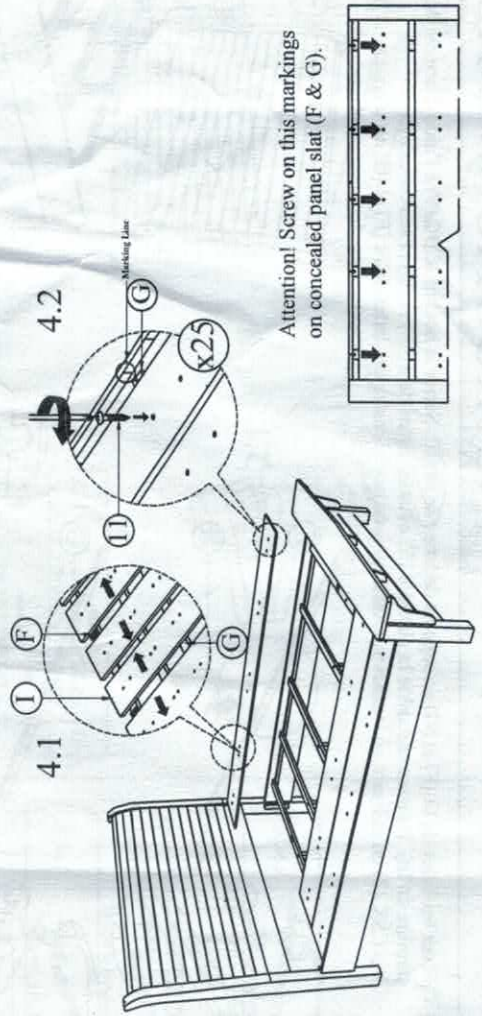
NOTE : MUST TIGHTEN SCREWS PERIODICALLY WITH USE. SCREW WILL BECOME LOOSE. CHECK TIGHTNESS OF ALL SCREW EVERY 6-8 WEEKS

ASSEMBLY INSTRUCTIONS

STEP 3 : Attach Bed Slat (F) & (G) to the Bed Slat Support (H) . Tighten JCBC Bolt (9) using an Allen Key (10). (Loosen and tighten the Adjuster to stability of bed). Then Push together the Slide Rail (E) with Bed Slat (F) &(G) tighten with CSK Screw (8) by using Screw Driver. (Make sure the center of Bed Slat (F) & (G) is aligned with the marked line as shown).



STEP 4 : Realign the Concealed Panel Slat (I) as shown. Attach Concealed Panel (I) over the Bed Slat (F) & (G) using Panhead Screw (11) and tighten with Screw Driver. (Not included)



NOTE : MUST TIGHTEN SCREWS PERIODICALLY WITH USE SCREW WILL BECOME LOOSE CHECK TIGHTNESS OF ALL SCREW EVERY 6-8 WEEKS